




**SPONSOR/EXHIBIT SCHEDULE:**

**EXHIBITORS WILL BE HOSTED IN THE MAIN FOYER OUTSIDE FITZGERALD BALLROOM**

<p><b>Diamond Event Sponsor:</b>  <b>\$10,000</b></p> 	<p>Includes: <b>(Sold)</b></p> <ul style="list-style-type: none"> <li>• <b>Event moderator; 10 minute presentation during the conference program</b></li> <li>• <b>1 Premium Exhibit Booth</b></li> <li>• 7 Full Conference tickets</li> <li>• 7 Networking Cocktail Event Tickets</li> <li>• Sponsor logo/name on all literature, ads, and e-mail, and event webpage</li> <li>• 12 month free ad on homepage of MBAofNY website with hyper-link to their website</li> <li>• <b>Sponsorship Sign on each course at MBAofNY Golf Outing 2017</b></li> <li>• Unlimited amount of information/giveaways for distribution in conference gift bag</li> </ul>
<p><b>Platinum Sponsor</b>  <b>\$7,500</b>          (2 Available)</p>	<p>Includes:</p> <ul style="list-style-type: none"> <li>• <b>1 Premium Exhibit Booth</b></li> <li>• 5 Full Conference tickets</li> <li>• 5 Networking Cocktail Event Tickets</li> <li>• Sponsor logo/name on all literature, ads, and e-mail, and event webpage</li> <li>• 12 month free ad on homepage of MBAofNY website with hyper-link to their website</li> <li>• <b>Sponsorship sign on course at MBAofNY Golf Outing 2017</b></li> <li>• Limited amount of information/giveaways for distribution in our conference gift bag</li> </ul>
<p><b>Gold Sponsor</b>  <b>\$5,000</b></p>	<p>Includes:</p> <ul style="list-style-type: none"> <li>• 1 Exhibit Booth</li> <li>• 3 Full Conference tickets</li> <li>• 3 Networking Cocktail Event tickets</li> <li>• Sponsor logo/name on all literature, ads, and e-mail and event webpage</li> <li>• 9 month free ad on homepage of MBAofNY website with hyper-link to their website</li> <li>• <b>Sponsorship sign on course at MBAofNY Golf Outing 2017</b></li> </ul>
<p><b>Silver Sponsor</b>  <b>\$3,750</b></p>	<p>Includes:</p> <ul style="list-style-type: none"> <li>• <b>1 Exhibit Booth</b></li> <li>• 2 Full Conference tickets</li> <li>• 2 Networking Cocktail Event tickets</li> <li>• Sponsor logo/name on all literature, ads, and e-mail, and event webpage</li> <li>• 9 month free ad on MBAofNY website with hyper-link to their site</li> <li>• <b>Sponsorship sign on course at MBAofNY Golf Outing 2017</b></li> </ul>
<p><b>Networking Cocktail Event</b>  <b>\$3,750</b></p>	<p>Includes:</p> <ul style="list-style-type: none"> <li>• <b>1 Exhibit Booth</b></li> <li>• 2 Full Conference tickets</li> <li>• 4 Networking Cocktail Event Tickets</li> <li>• Sponsor logo/name on all literature, ads, e-mail, and event webpage</li> <li>• 9 month free ad on MBAofNY website with hyper-link to their website</li> <li>• <b>Sponsorship sign on course at MBAofNY Golf Outing 2017</b></li> </ul>
<p><b>Bronze Sponsor</b>  <b>\$1,750</b></p>	<p>Includes:</p> <ul style="list-style-type: none"> <li>• <b>1 Exhibit Booth</b></li> <li>• 2 Full Conference tickets</li> <li>• Sponsor logo/name on all literature, ads, e-mail and event webpage</li> <li>• <b>Sponsorship sign on course at MBAofNY Golf Outing 2017</b></li> </ul>
<p><b>Breakfast or Lunch or Breaks</b>  <b>\$1,250 each</b></p>	<ul style="list-style-type: none"> <li>• 1 Full Conference ticket</li> <li>• Signage at the event during Breakfast, Lunch or Break time</li> <li>• Sponsor logo/name on e-mails, literature and event webpage</li> <li>• <b>Sponsorship sign on course at MBAofNY Golf Outing 2017</b></li> </ul>
<p><b>Benefactors - \$500</b></p>	<ul style="list-style-type: none"> <li>• 1 Full Conference ticket</li> <li>• Company name/logo on signage at the event and event webpage and program</li> <li>• Allowed to put brochures at the entrance and gift bag</li> </ul>



**SPONSORSHIP/EXHIBITOR AGREEMENT: PAGE 1**

**SPONSOR NAME:** (Company/Individual) \_\_\_\_\_

**CONTACT PERSON:** Name: \_\_\_\_\_ Phone: \_\_\_\_\_ E-mail: \_\_\_\_\_

**Address:** \_\_\_\_\_

**SPONSORSHIP/EXHIBIT LEVEL:** (select one)

- Platinum (\$7,500)
  Gold (\$5,000)
  Silver (\$3,750)
  Bronze (\$1,750)
  Cocktail Networking (\$3,750)
  Breakfast (\$1,250)
  Breaks (\$1,250)
  Lunch (\$1,250)
  Benefactor (\$500)

<p>Exhibit Space includes:</p>	<ul style="list-style-type: none"> <li>6 ft. Draped table, 2 chairs, a wastebasket, and electrical power for use for laptops, lamps etc. In Main Foyer level just outside the Fitzgerald ballroom on main floor.</li> <li>There will be no pipe or draping for exhibit booths.</li> </ul>
<p>Additional Services:</p>	<ul style="list-style-type: none"> <li>Shipping services are available at additional costs to the exhibitor. Call for price list. All exhibitors may ship ahead, to arrive the day before, all display items, giveaway materials, brochures, etc. Please call for details. (516 997-3707).</li> </ul>
<p>Exhibit Set Up/Breakdown:</p>	<ul style="list-style-type: none"> <li>Exhibitors will have access to their space for set up as of 7:00 a.m. the morning of the conference (June 15, 2017)</li> <li>Any items shipped ahead will be delivered to your table on the conference floor by the hotel staff.</li> <li>All Exhibitors should be set up by 7:30 a.m. the morning of June 15, 2017.</li> <li>All exhibitors will be required to breakdown and dismantle between 5:00 p.m. and 6:00 p.m.</li> </ul>

**Every Sponsor with an exhibit booth MUST submit the following:** *(no exceptions)*

1. Completed and signed exhibit/sponsor application form for use of exhibit space.
2. **Certificate of Insurance with Mortgage Bankers Association of NY, Inc., PO Box 7361, Hicksville, NY 11802-7361, added as additional insured (see agreement pg. 3)**
3. Completed registration form for **ALL** individuals using complimentary conference tickets as well as those using the Networking Cocktail Event tickets. (No exceptions).
4. Brief Summary of your organization: 75-125 words or less, for use in promotional materials & e-mails
5. Payment for exhibit rental (non-refundable)

Required items should be forwarded to:

**Mortgage Bankers Association of NY, Inc.**  
**PO Box 7361,**  
**Hicksville, NY 11590**

BRIEF DESCRIPTION OF YOUR COMPANY/ORGANIZATION: for use in promotional materials: 75-125 words or less: (Bronze level or above only)

Multiple horizontal lines for text entry.

SPONSOR/EXHIBITOR AGREEMENT:

- Registration for all exhibitor sponsors is mandatory.
Sponsorships that include an exhibit booth will be given a designated number of complimentary full conference and/or network Cocktail Event Tickets...
The exhibitor agrees to rent exhibit area space at the MBAofNY's New York Real Estate Strategic Lending Summit...
Security is Not Provided. The MBAofNY, its employees, volunteers, and agents and the Manhattan NYC Affinia Hotel shall NOT be responsible for any accident, claim, charge or damage...
ALL Exhibitors assumes responsibility and liability for all claims of any type relating to or arising from its booth or exhibitors' operation thereof...
Exhibitor agrees to carry liability insurance with respect to the foregoing, with minimum coverage of \$1,000,000 combined single limit...
Exhibitor agrees that Mortgage Bankers Association of NY, Inc. shall be shown as an additional insured on said policy and Exhibitor agrees to deliver to MBAofNY an original policy or certificate of said insurance no later than May 6, 2017.

ACKNOWLEDGMENT:

No Refunds or Credits due to cancellation or no show. No Exception.

Please check off the acknowledgement below and sign:

I understand and agree to the conference and exhibit policy as stated above in the sponsorship/exhibitor agreement.

Signature (REQUIRED): Date:

EXHIBITOR/SPONSOR NAME: (Company/Individual) \_\_\_\_\_

CONTACT PERSON: Name: \_\_\_\_\_ Phone: \_\_\_\_\_ E-mail: \_\_\_\_\_

Full Conference Tickets & Network Cocktail Event passes included with exhibit booth and sponsorships, according to sponsorship schedule enclosed, requires **all** attendees to be registered in advance. No exceptions. **Duplicate this form for additional registrations.**

**Complimentary Conference Ticket Registration:**Registrant Name: \_\_\_\_\_  Comp  Paid Guest

Company Name: \_\_\_\_\_

Address: \_\_\_\_\_ City: \_\_\_\_\_ State: \_\_\_\_\_ Zip \_\_\_\_\_

Phone: (Office) \_\_\_\_\_ (Cell) \_\_\_\_\_ E-mail \*required: \_\_\_\_\_

Please indicate any special needs requirements: \_\_\_\_\_

**PLEASE SELECT YOUR AFTERNOON BREAKOUT SESSIONS: (One Required Selection In Each Timeslot)**

- **1:45 p.m.** – Afternoon Breakout Session #1 – Please select only **one**:
  - The Art of Risk Management** – *(Maximizing Profit by Minimizing Risk)*
  - Cranes in the Air-Boots on the Ground**
- **3:00 p.m.** – Afternoon Breakout Session #2 – Please select only **one**:
  - Regulator Round Up**
  - Out of the Shadows – Non-traditional Lenders and Shadow Banking in the Mainstream**

Registrant Name: \_\_\_\_\_

Company Name: \_\_\_\_\_

Address: \_\_\_\_\_ City: \_\_\_\_\_ State: \_\_\_\_\_ Zip \_\_\_\_\_

Phone: (Office) \_\_\_\_\_ (Cell) \_\_\_\_\_ E-mail: \*required: \_\_\_\_\_

Please indicate any special needs requirements: \_\_\_\_\_

**PLEASE SELECT YOUR AFTERNOON BREAKOUT SESSIONS: (One Required Selection In Each Timeslot)**

- **1:45 p.m.** – Afternoon Breakout Session #1 – Please select only **one**:
  - The The Art of Risk Management** – *(Maximizing Profit by Minimizing Risk)*
  - Cranes in the Air-Boots on the Ground**
- **3:00 p.m.** – Afternoon Breakout Session #2 – Please select only **one**:
  - Regulator Round Up**
  - Out of the Shadows – Non-traditional Lenders and Shadow Banking in the Mainstream**

Registrant Name: \_\_\_\_\_

Company Name: \_\_\_\_\_

Address: \_\_\_\_\_ City: \_\_\_\_\_ State: \_\_\_\_\_ Zip \_\_\_\_\_

Phone: (Office) \_\_\_\_\_ (Cell) \_\_\_\_\_ E-mail: \*required: \_\_\_\_\_

Please indicate any special needs requirements: \_\_\_\_\_

**PLEASE SELECT YOUR AFTERNOON BREAKOUT SESSIONS: (One Required Selection In Each Timeslot)**

- **1:45 p.m.** – Afternoon Breakout Session #1 – Please select only **one**:
  - Art of Risk Management** – *(Maximizing Profit by Minimizing Risk)*
  - Cranes in the Air-Boots on the Ground**
- **3:00 p.m.** – Afternoon Breakout Session #2 – Please select only **one**:
  - Regulator Round Up**
  - Out of the Shadows – Non-traditional Lenders and Shadow Banking in the Mainstream**

**For Networking Cocktail Registration Only – No Conference Access:**

Registrant Name: \_\_\_\_\_  Comp  Guest (\$125)  
Company Name: \_\_\_\_\_  
Address: \_\_\_\_\_ City: \_\_\_\_\_ State: \_\_\_\_\_ Zip \_\_\_\_\_  
Phone: (Office) \_\_\_\_\_ (Cell) \_\_\_\_\_ E-mail\*required: \_\_\_\_\_  
Please indicate any special needs requirements: \_\_\_\_\_

Registrant Name: \_\_\_\_\_  Comp  Guest (\$125)  
Company Name: \_\_\_\_\_  
Address: \_\_\_\_\_ City: \_\_\_\_\_ State: \_\_\_\_\_ Zip \_\_\_\_\_  
Phone: (Office) \_\_\_\_\_ (Cell) \_\_\_\_\_ E-mail\*required: \_\_\_\_\_  
Please indicate any special needs requirements: \_\_\_\_\_

Registrant Name: \_\_\_\_\_  Comp  Guest (\$125)  
Company Name: \_\_\_\_\_  
Address: \_\_\_\_\_ City: \_\_\_\_\_ State: \_\_\_\_\_ Zip \_\_\_\_\_  
Phone: (Office) \_\_\_\_\_ (Cell) \_\_\_\_\_ E-mail\*required: \_\_\_\_\_  
Please indicate any special needs requirements: \_\_\_\_\_

Registrant Name: \_\_\_\_\_  Comp  Guest (\$125)  
Company Name: \_\_\_\_\_  
Address: \_\_\_\_\_ City: \_\_\_\_\_ State: \_\_\_\_\_ Zip \_\_\_\_\_  
Phone: (Office) \_\_\_\_\_ (Cell) \_\_\_\_\_ E-mail \*required: \_\_\_\_\_  
Please indicate any special needs requirements: \_\_\_\_\_

**METHOD OF PAYMENT: (PLEASE PRINT CLEARLY)**

PAGE 4

Check payable to: *Mortgage Bankers Association of NY, Inc.*  MasterCard  Visa  American Express

Card # \_\_\_\_\_ Expiration: \_\_\_\_/\_\_\_\_ Security Code: \_\_\_\_\_

Name on Card: (please print clearly) \_\_\_\_\_ Total Amount \$ \_\_\_\_\_

\*Billing Address for Card: (Required): \_\_\_\_\_  
\_\_\_\_\_

Signature: (required): \_\_\_\_\_

**Send Completed  
Forms To:**

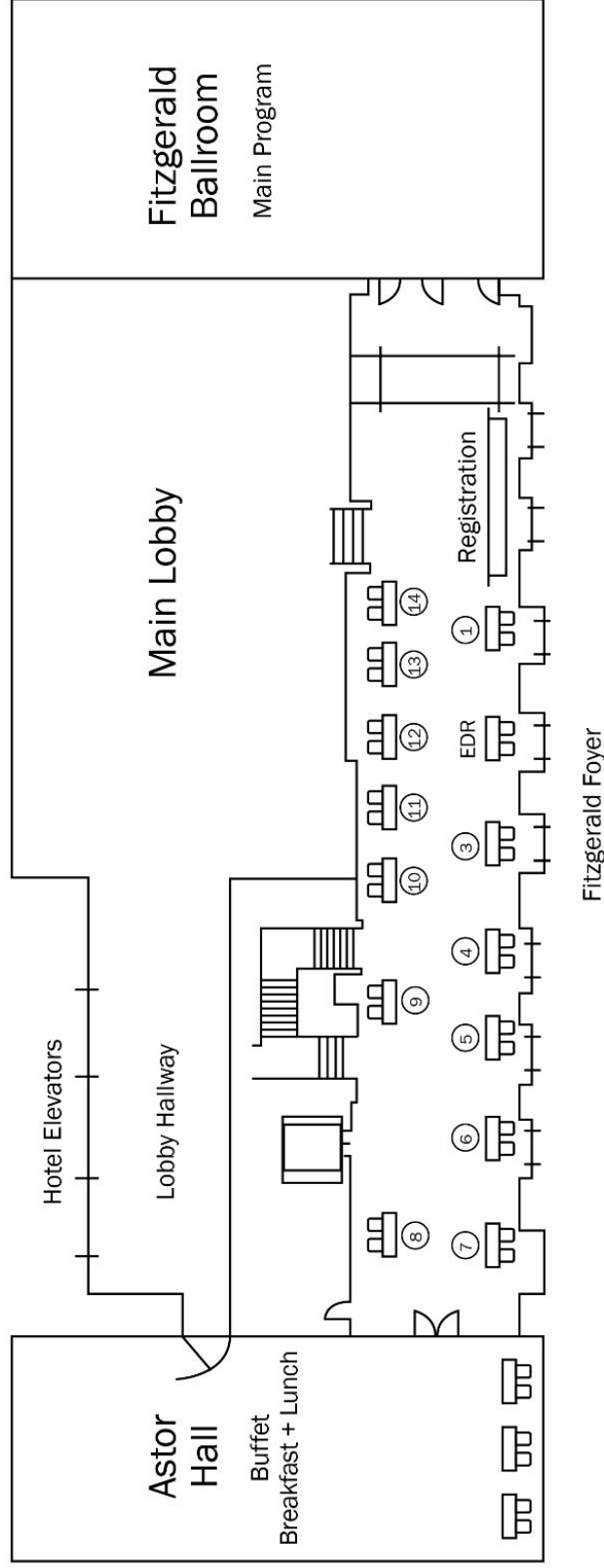
MBAofNY  
PO Box 7361  
Hicksville, NY 11802-7361

Phone: (516) 997-3707  
Fax: (516) 997-1979  
E-mail: admin@mbany.org

# 3rd Annual Strategic Real Estate Lending Summit 2017

June 15, 2017

“BUILDING A BETTER NEW YORK”



## The Stewart Hotel Exhibitor Sponsor Layout

Mortgage Bankers Association of New York, Inc.  
PO Box 7361  
Hicksville, NY 11802-7361  
Phone: 516 997 3707 | Fax: 516 997 1979  
Email: [admin@mbany.org](mailto:admin@mbany.org)  
[www.mbany.org](http://www.mbany.org)

