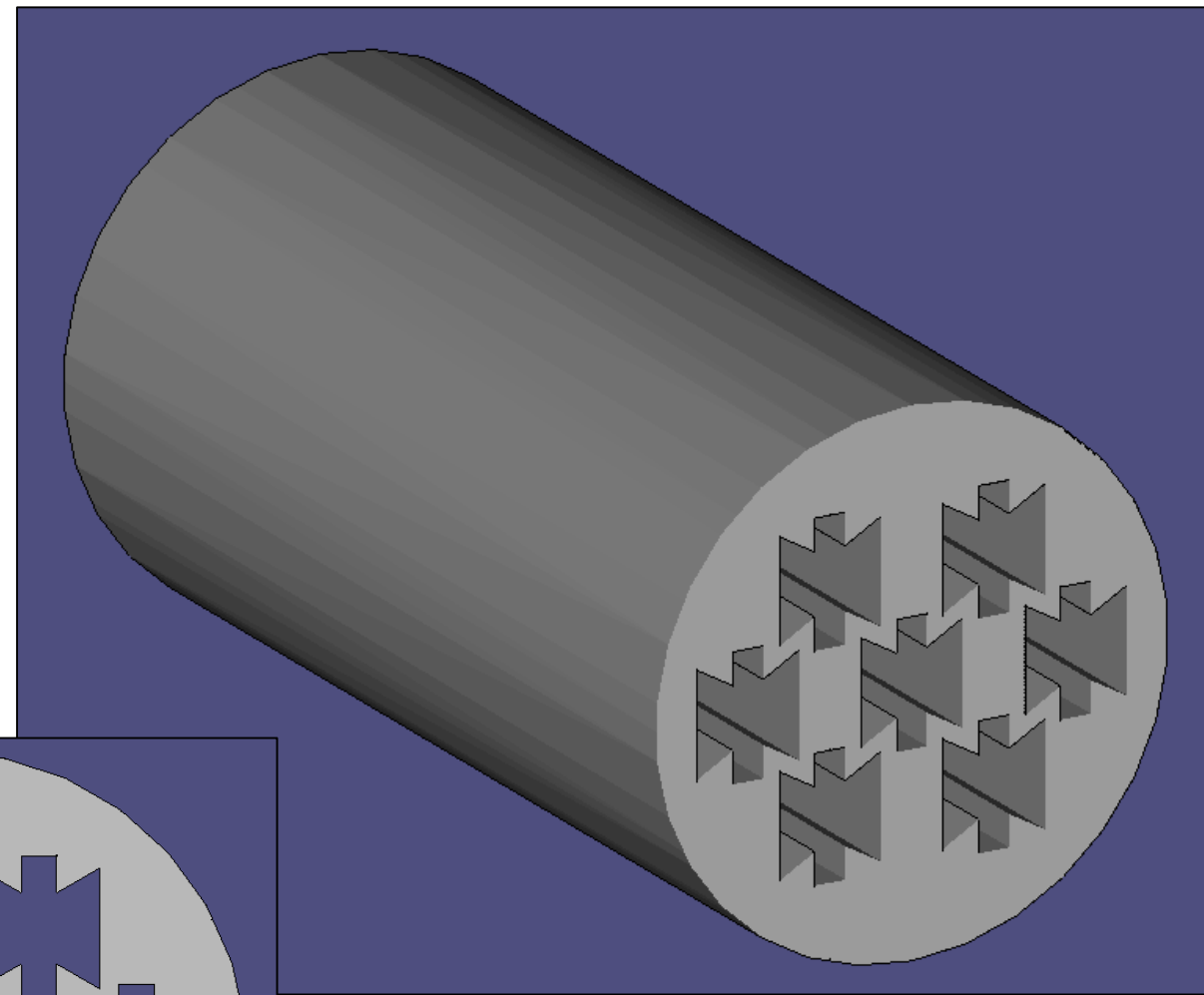
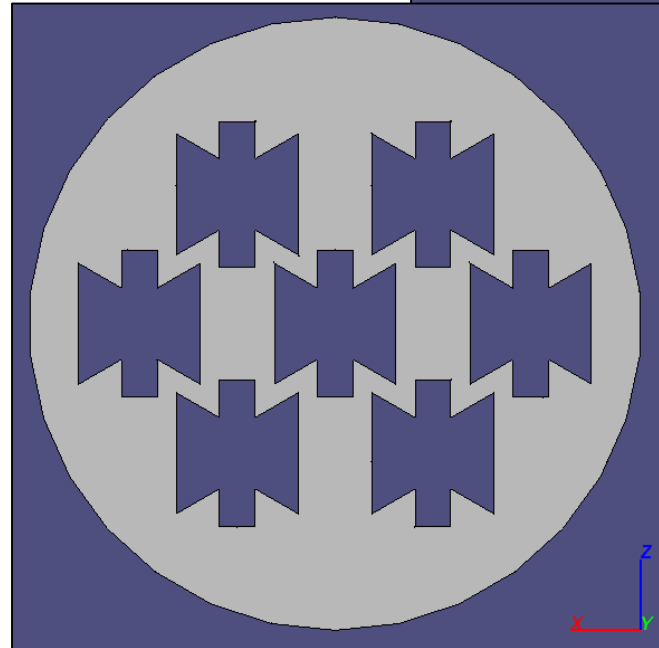


SAMPE
Additive Manufacturing
Student Competition
Results - 2015



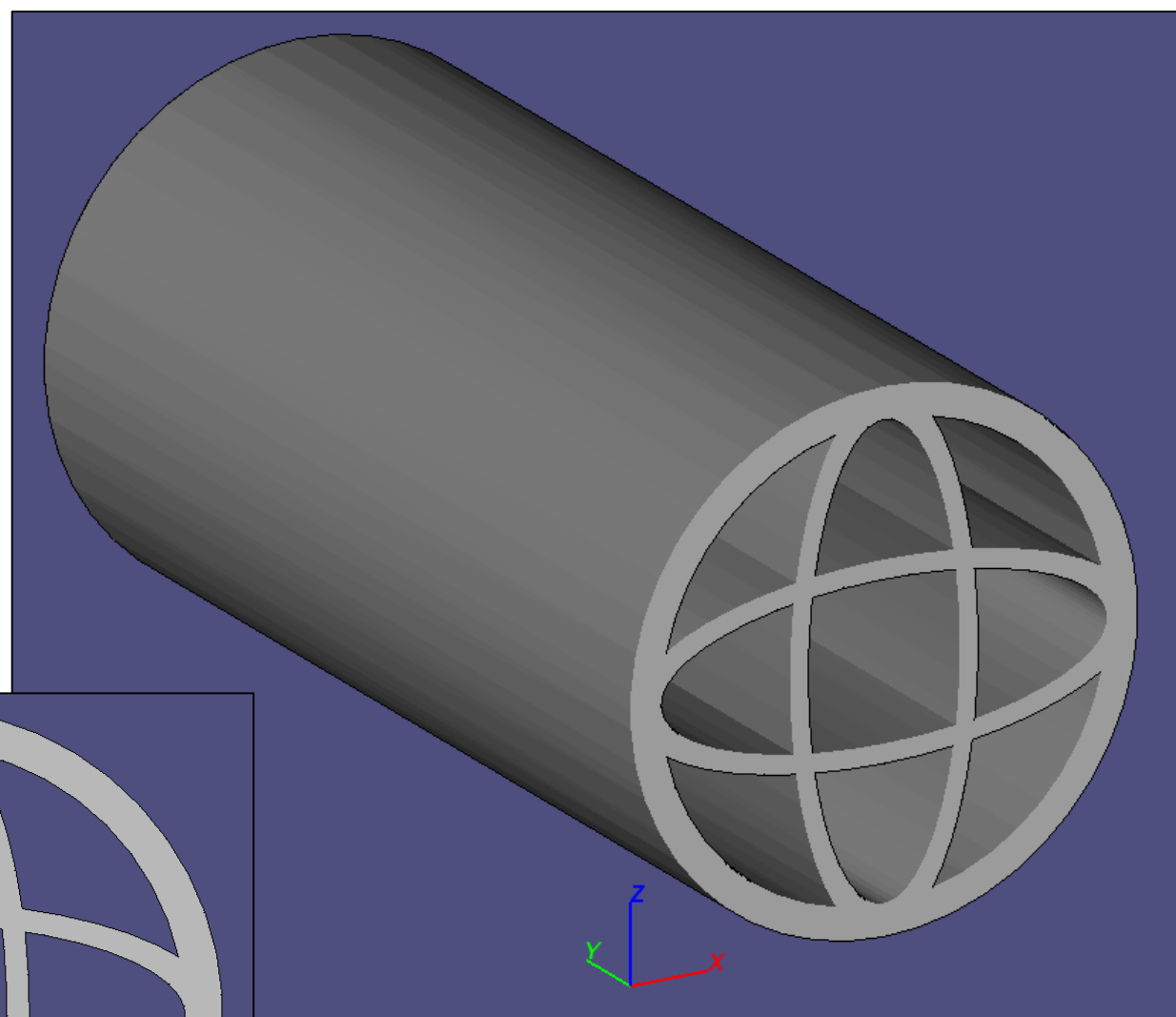
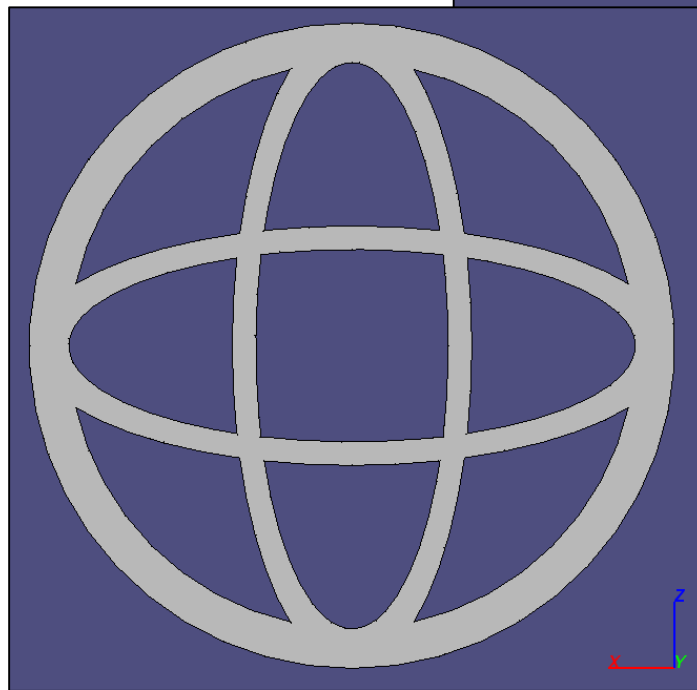
1st Place

- Aniket Ingrole
 - Florida State University
 - Will receive \$500 and printing credit with Stratasys



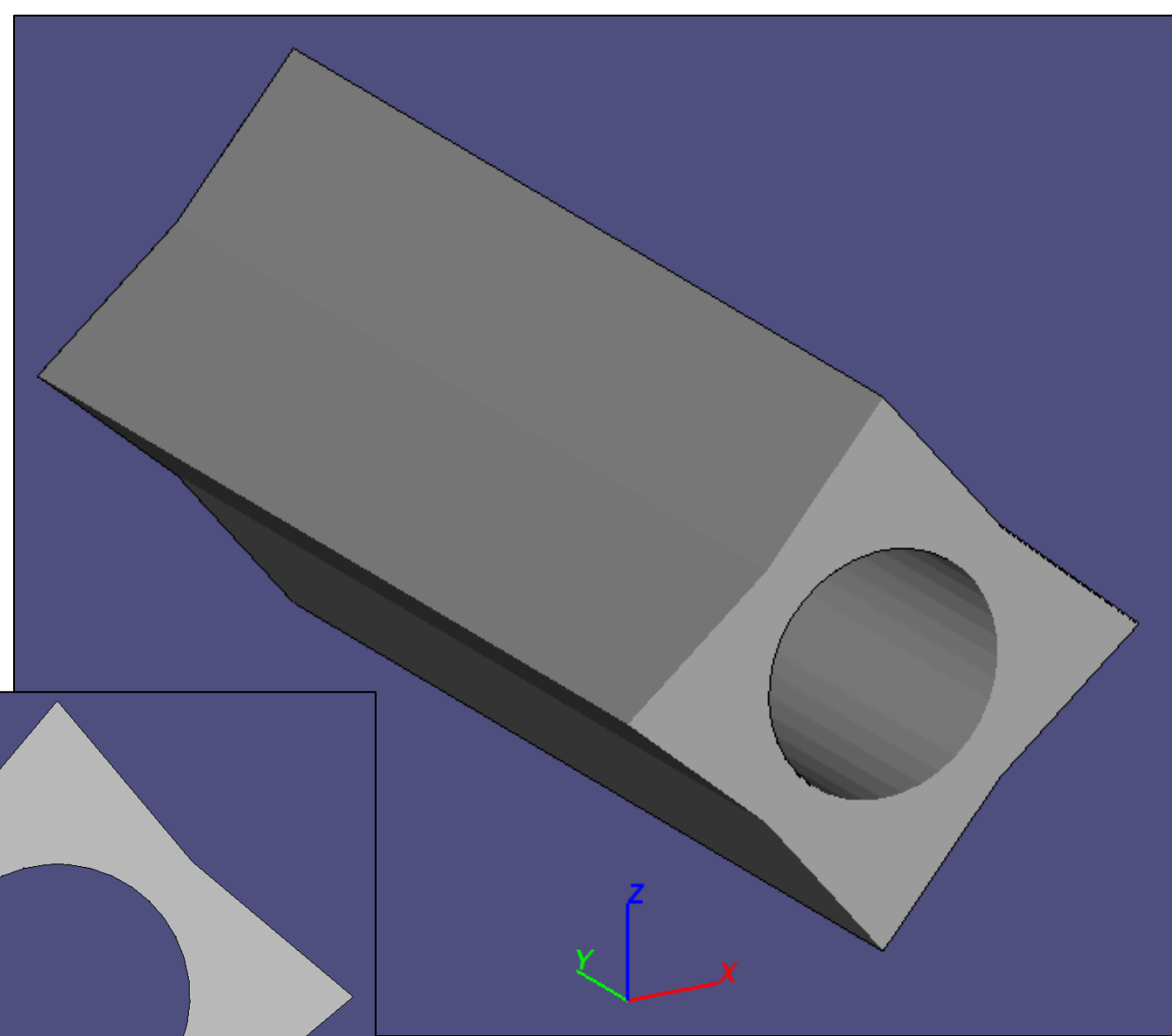
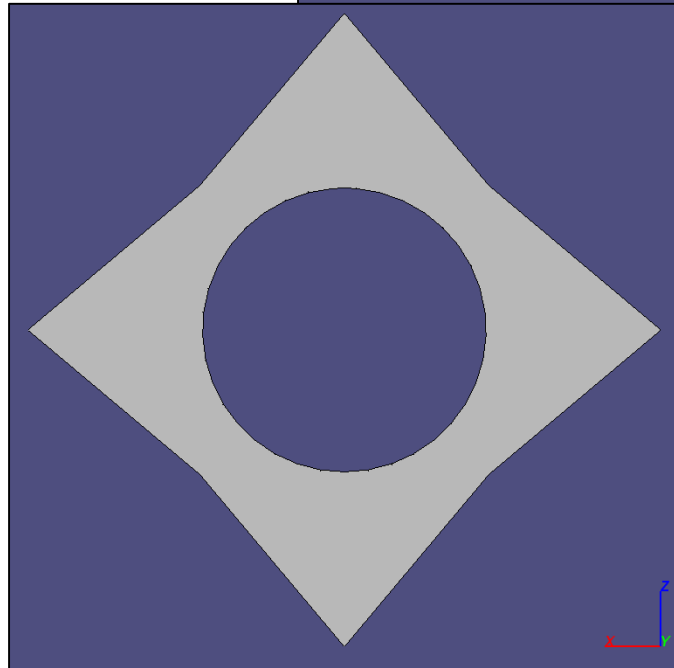
2nd Place

- Harrison Scarborough
 - Washington State University
- Will receive \$250



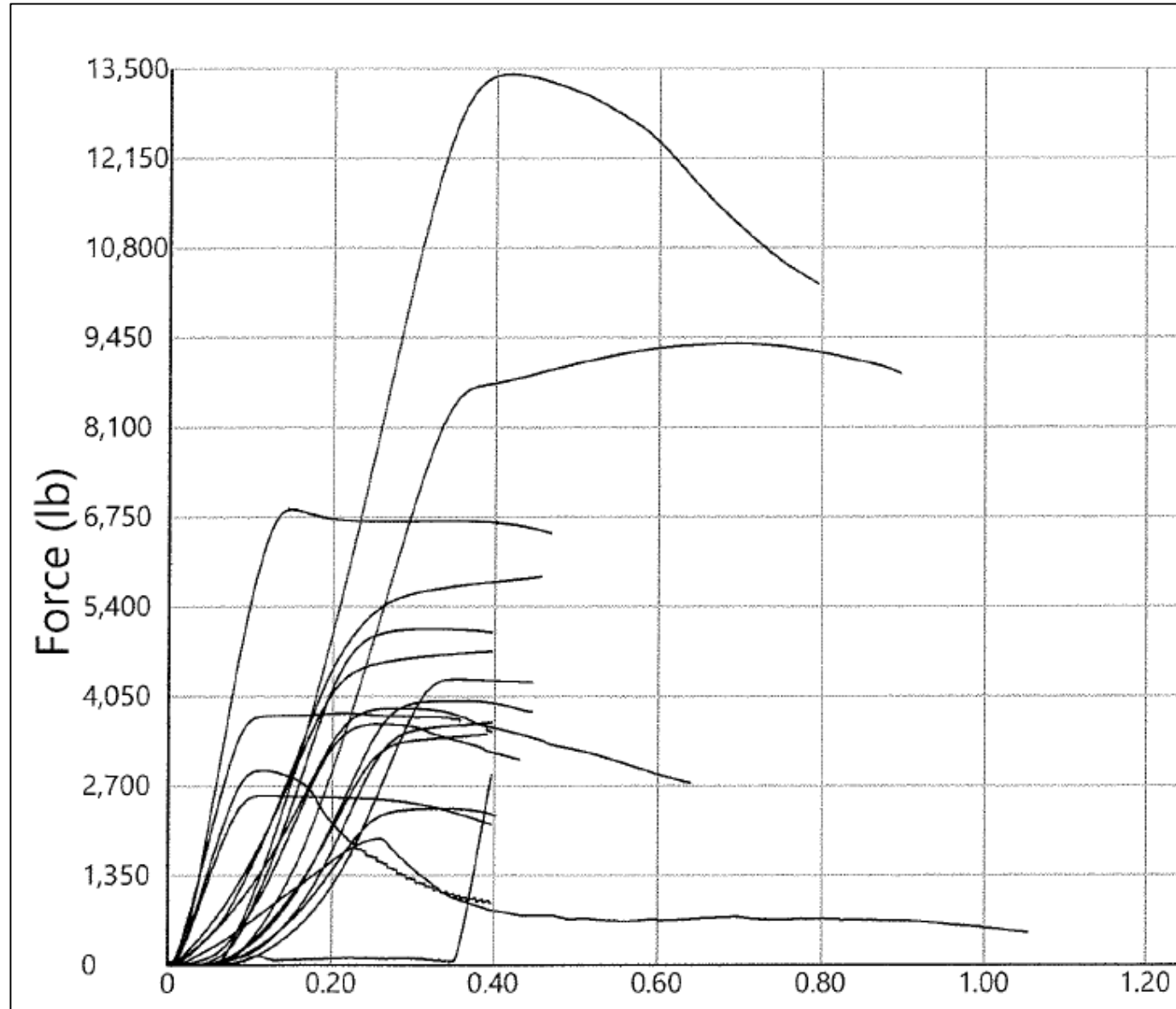
3rd Place

- Preetam Mohapatra
 - Washington State University
 - Will receive \$150



Overall Summary

Reg#	Weight (lbs)	Height (in)	Peak Load (lbf)	Score
07-4043	0.063713	2.362	6860	254340
07-6071	0.024030	2.000	2930	243860
07-6080	0.020944	2.000	2550	243510
07-2915	0.055335	2.289	5850	242030
07-4292	0.040344	2.250	4310	240369
07-3362	0.039462	2.000	4730	239722
07-4130	0.031746	2.000	3790	238768
07-2528	0.033510	2.000	3870	230976
07-4061	0.039021	2.250	3980	229489
07-4196	0.031967	2.000	3660	228988
07-3992	0.230822	4.000	13004	225352
07-2951	0.032187	1.969	3480	212830
07-2954	0.022487	2.028	2360	212792
07-3080	0.037478	2.165	3630	209728
07-3773	0.049163	2.000	5060	205848
07-3695	0.074736	2.953	4370	172655
07-2306	0.035715	3.000	1910	160439
07-4898	0.262788	4.500	9360	160281
07-3176	0.037699	2.000	2870	152260



Special Thanks to Our Sponsor!



Stratasys

FOR A 3D WORLD™