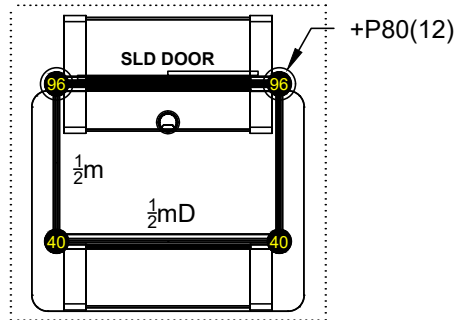


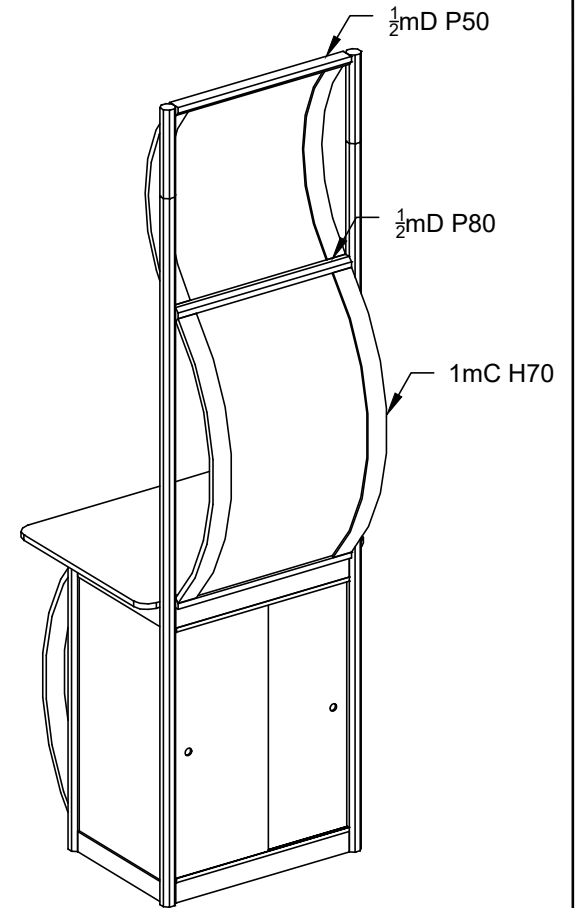
**Front 3D View**



**Plan View**

Graphic Panel Sizes  
 A1 = 29 " x 21  $\frac{1}{2}$ "

0215



**Back 3D View**

© 2010 Global Experience Specialists



Client: SM013 - E20X Kiosk  
 Booth Size: 20' x 65'  
 Booth No.:

All Rights Reserved. No part of this publication may be reproduced, stored in any retrieval system, or transmitted in any form by any means - electronic, mechanical, photocopying, recording or otherwise - without the express written consent of Global Experience Specialists.